

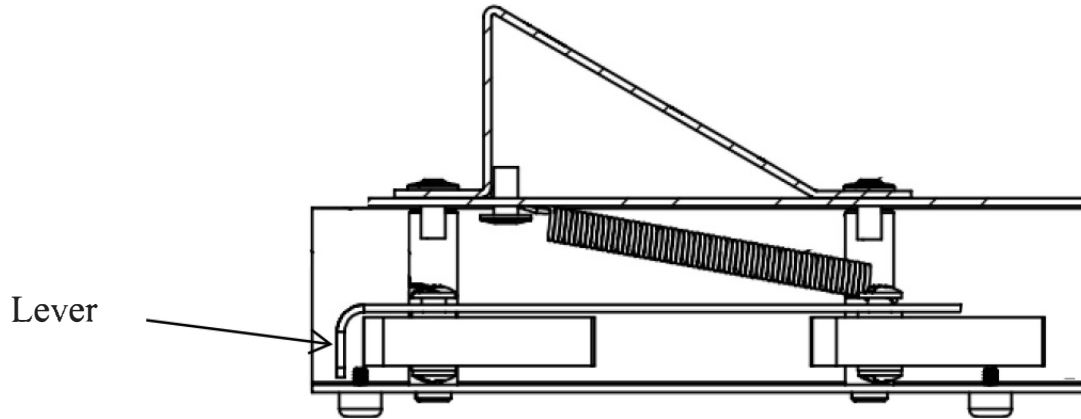


The Roof Rat Bracket



WARNING

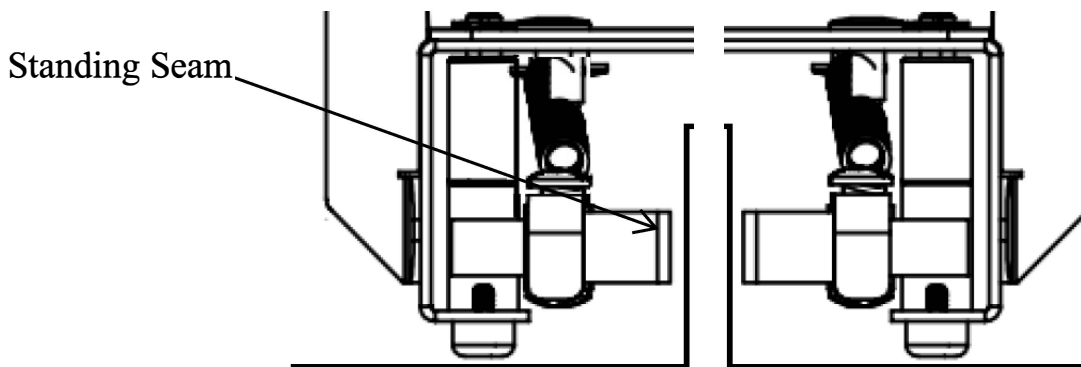
You must be tied off according to
CURRENT OSHA FALL PROTECTION REQUIREMENTS
based on the duties being performed while using this product.
**THIS IS NOT A FALL PROTECTION PRODUCT
JUST A PLACE TO PUT YOUR FOOT**



- 1- Make sure Standing Seam is dry.
- 2- Press lever in on both sides to open cams

WARNING

You must be tied off according to
CURRENT OSHA FALL PROTECTION REQUIREMENTS
based on the duties being performed while using this product.
**THIS IS NOT A FALL PROTECTION PRODUCT
JUST A PLACE TO PUT YOUR FOOT**
theroofratbracket.com



- 3- With cams open, set bracket firmly on deck with standing seam in between the cams, release levers.
- 4- To remove, YOU MUST press levers to open cams, lift off seam.

THEROOFRATBRACKET.COM

PROUDLY MADE IN THE UNITED STATES OF AMERICA

(Patented)